

Solljus Compact S

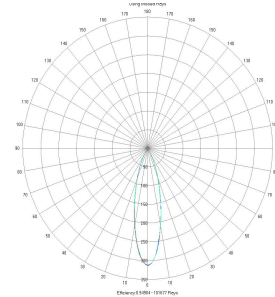


1200W LED High Mast Light Specification

DUfU a YhYfg.

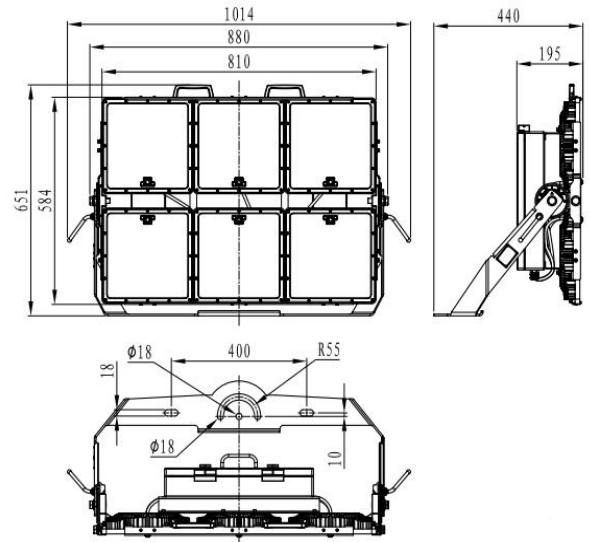
@[[\h' 8]ghf]V i h]cb.

@+\$6%\$' %0\$'\$\$\$'\`
@,\$6%\$' 75"\$\$\$'\`
@-\$6%\$')\$"\$\$\$'\`



Product Model:	Compact S
LED Chip Brand:	Nichia
Light Efficiency:	130 lm/W
Color Temperature:	4500~5500K
Beam Angle:	30°(60°、20° optional)
Total Power Consumption:	1200W±20W
Output Current:	11.6A (constant current)
Net Weight:	2,4 - 4,5Kg
Working Temperature:	-40°C~+45°C
Light Dimension:	L1014mm×W651mm×H440mm

D\mg]WU' 8] a Ybg]cbg



- \$' -)	7) 'FU	=D*)	≥%0\$\$\$\$ <fg	57' %\$\$! &+++J	(+!' * ' <n
DckYf' : UWhcf	7F=	=D'@YjY	HA!&%@!@,sL	=bdih'Jc'hU[Y	DckYf' :fYe i YbWm



Suitable for Sport Arenas, Harbors, Airports and other Lighting Purposes.

kkk"gc``^ i g"gy'*****

Ver. 20181221